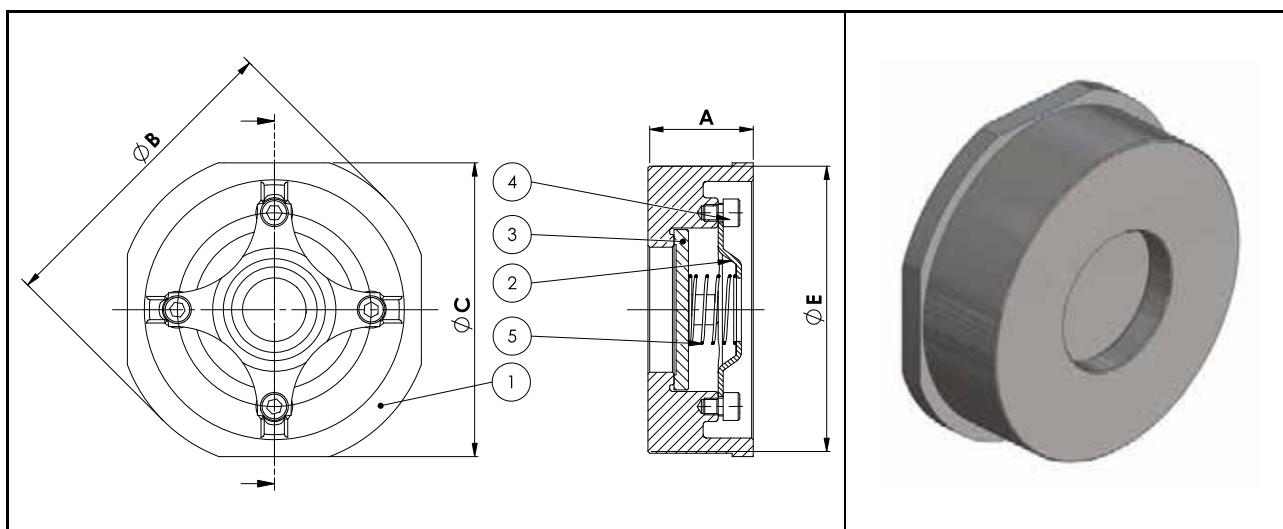


WAFER SPRING CHECK VALVE – STAINLESS STEEL
DN15–DN100



Working temperature 0 °C/300 °C

Materials

1	Body	Stainless Steel – A316
2	Spring cover	Stainless Steel – A316
3	Spring	Stainless Steel – A316
4	Bolt	Stainless Steel – A316
5	Disc	Stainless Steel – A316

PN40

Art. nr.	DN	A	ØB	ØC	ØE	Weight (kg)
A036440	15	16	53	45	43	0,15
A036441	20	19	63	55	53	0,20
A036446	25	22	73	65	63	0,30
A036448	32	28	84	78	75	0,45
A036449	40	31,5	94	88	86	0,65
A036450	50	40	107	98	95	1,00
A036451	65	46	126	118	115	1,50
A036452	80	50	144	133	131	2,10
A036453	100	60	164	154	151	3,25

Notes

Suitable for installation between flanges drilled according to PN10, PN16, PN25 and PN40.

